



US00D694264S

(12) **United States Design Patent**  
**Reinhardt**

(10) **Patent No.:** **US D694,264 S**

(45) **Date of Patent:** **\*\* Nov. 26, 2013**

- (54) **ROTATION STAGE**
- (75) Inventor: **John C. Reinhardt**, Huntsville, AL (US)
- (73) Assignee: **Polaris Sensor Technologies, Inc.**,  
Huntsville, AL (US)

6,285,457	B2 *	9/2001	Ukaji	356/500
6,547,670	B1 *	4/2003	Kempf	472/77
D607,105	S *	12/2009	Otoha et al.	D24/158
7,688,528	B2 *	3/2010	Michael et al.	359/811
7,855,845	B2 *	12/2010	Heuser et al.	359/811
8,267,388	B2 *	9/2012	Xu	269/60
8,425,410	B2 *	4/2013	Murray et al.	600/203

(\*\*) Term: **14 Years**

\* cited by examiner

(21) Appl. No.: **29/428,739**

*Primary Examiner* — Prabhakar Deshmukh

(22) Filed: **Aug. 2, 2012**

(74) *Attorney, Agent, or Firm* — Angela Holt; Bradley Arant  
Boult Cummings LLP

(51) **LOC (9) Cl.** ..... **14-03**

(52) **U.S. Cl.**  
USPC ..... **D14/496**; D21/325; D10/46

(57) **CLAIM**

The ornamental design for a rotation stage, as shown and described.

(58) **Field of Classification Search**  
USPC ..... D14/496, 356, 357, 358, 420, 422, 432,  
D14/434, 217; D21/325, 329, 369, 821;  
273/148 B, 447, 448, 460, 461; 463/46,  
463/47, 7, 25; D10/46, 80, 94, 95; 356/3,  
356/3.01, 3.07, 3.09, 51; 600/437-448;  
352/85-88, 91 C, 198-203; 116/1, 200,  
116/202, 213; 472/75-79; 52/29  
See application file for complete search history.

**DESCRIPTION**

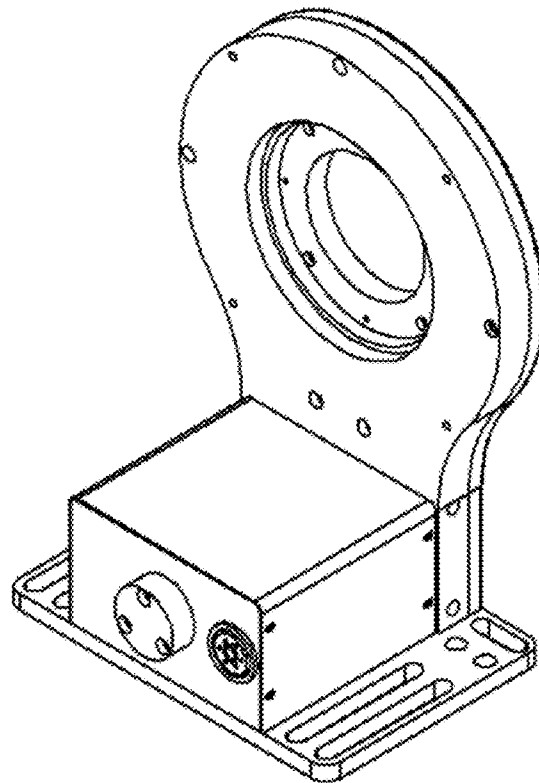
FIG. 1 is a front perspective view of a rotation stage showing my new design;  
FIG. 2 is a rear perspective view thereof;  
FIG. 3 is a front elevational view thereof;  
FIG. 4 is a top plan view thereof;  
FIG. 5 is a rear elevational view thereof;  
FIG. 6 is a left side elevational view thereof;  
FIG. 7 is a bottom plan view thereof; and,  
FIG. 8 is right side elevational view thereof.

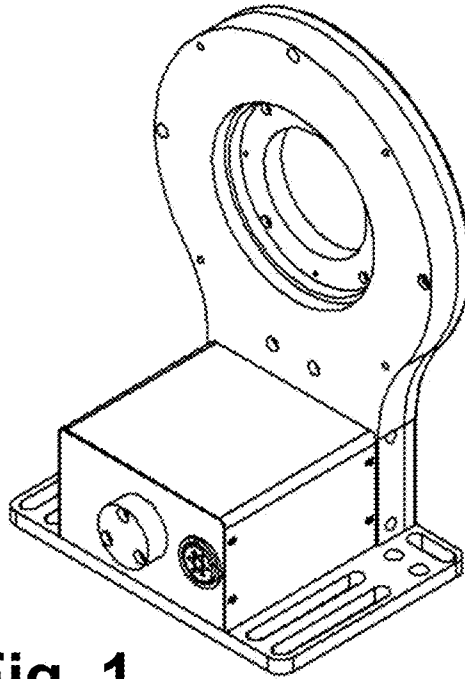
(56) **References Cited**

U.S. PATENT DOCUMENTS

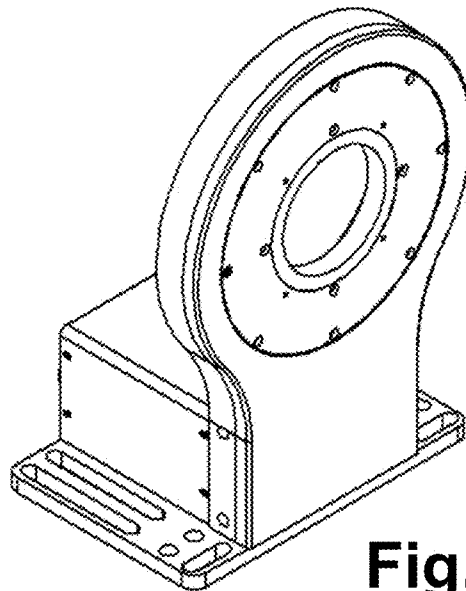
2,097,091	A *	10/1937	Powell	472/57
2,227,043	A *	12/1940	Tompkins	472/78
6,247,676	B1 *	6/2001	Yanik	248/652

**1 Claim, 3 Drawing Sheets**

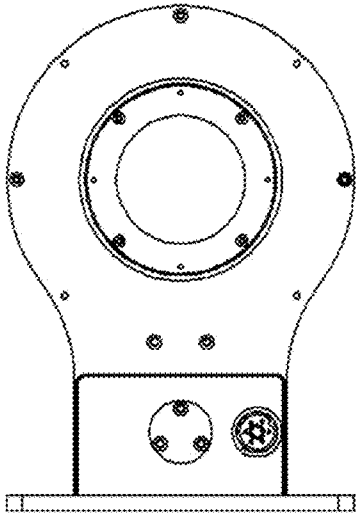




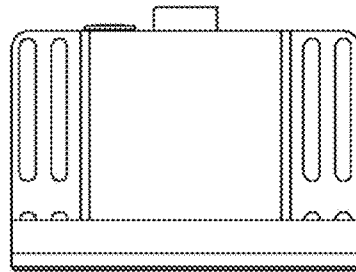
**Fig. 1**



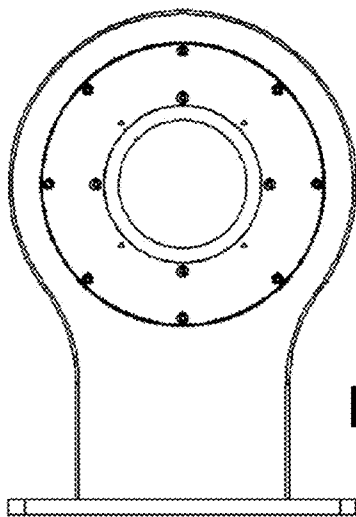
**Fig. 2**



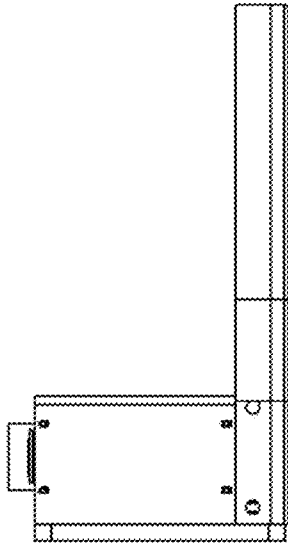
**Fig. 3**



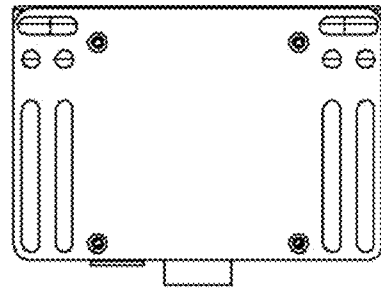
**Fig. 4**



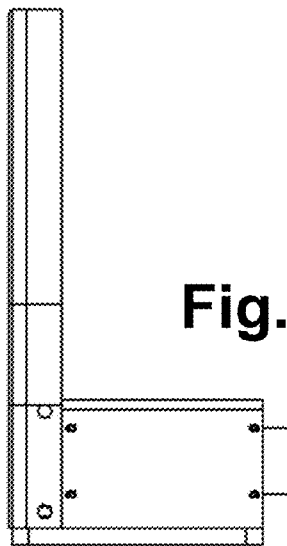
**Fig. 5**



**Fig. 6**



**Fig. 7**



**Fig. 8**