

# Pyxis® LWIR 640-G

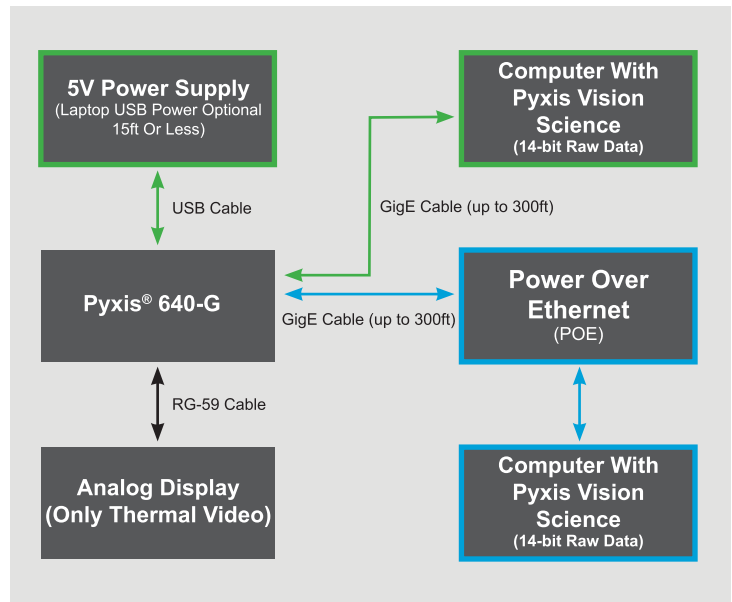


**Base Price: \$45,000 for US Government use**

## Summary

- LWIR imaging polarimeter
- SWaP almost identical to standard LWIR microbolometer
- Frame grabber integrated for a more convenient collection of digital data with less cables and lower SWaP
- GigE connection straight to computer using Pyxis® Vision Science
- No polarization image processing on sensor head
- Can be battery powered
- Different cable lengths available
- Reduces power and cabling
- Camera core can fit into commercially available housings
- Environmental housing required for demanding environments

Detector	Uncooled VOx Microbolometer
Operating Temperature	0°C-45°C
Waveband	7.5µm-13.5µm
Pixel Pitch	17µm
Resolution (HxV)	640 x 512 pixels
Standard Lens	20mm f/0.85 (others available)
Field of View (Standard Lens)	30° x 25°
Camera Frame Rate	30Hz or 7.5Hz
Full Frame Pixel Operability	>99.9%
NEDT @ f/0.85	<70mK
NEDOLP @ f/0.85	<0.5%
Input Voltage	5VDC or ethernet (POE)
Size with Standard Lens (LxWxH)	3.46" x 1.83" x 1.83"
Weight with Standard Lens	6.5oz
Data Interface	GigE and NTSC
Environmental	N/A
Steady State Power @ 70°F	4W with 5VDC, 6W with POE
Peak Power @ 70°F	5W with 5VDC, 7W with POE



Networking Diagram

**Polaris**  
Sensor Technologies, Inc.

200 Westside Square, Suite 320 | Huntsville, Alabama 35801  
256.562.0087 | info@PolarisSensor.com | www.PolarisSensor.com  
© 2016 Polaris Sensor Technologies, Inc.